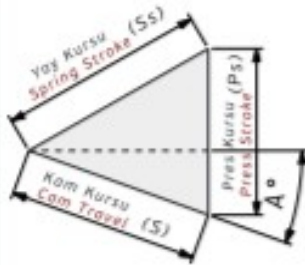


**AKBK-200 Bilgilendirme / Information**

- Çalışma Kuvveti / Working Force : (300.000 Baskı/Stroke)186,2 kN(19,0tonf)
- Sürücü Genişliği / Slider Width : 200 mm
- Çalışma Açısı / Work Angle : 0° - 70°
- Gazlı Yay Opsiyon / Gas Spring : GY
- Sipariş Örneği / Order Example : AKBK-200-300-GY

**Kam Diyagramı / Cam Diagram**

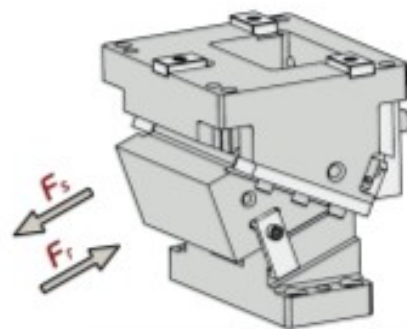
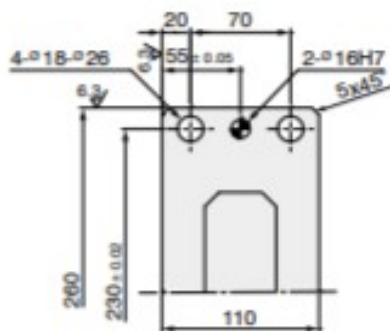
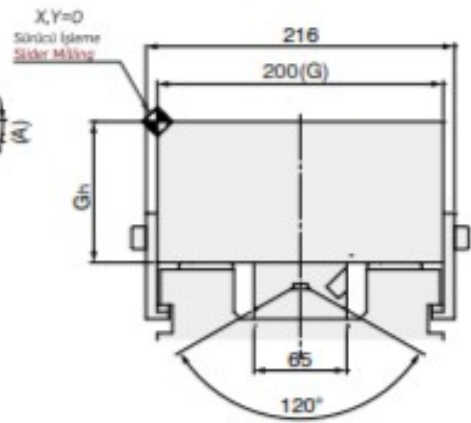
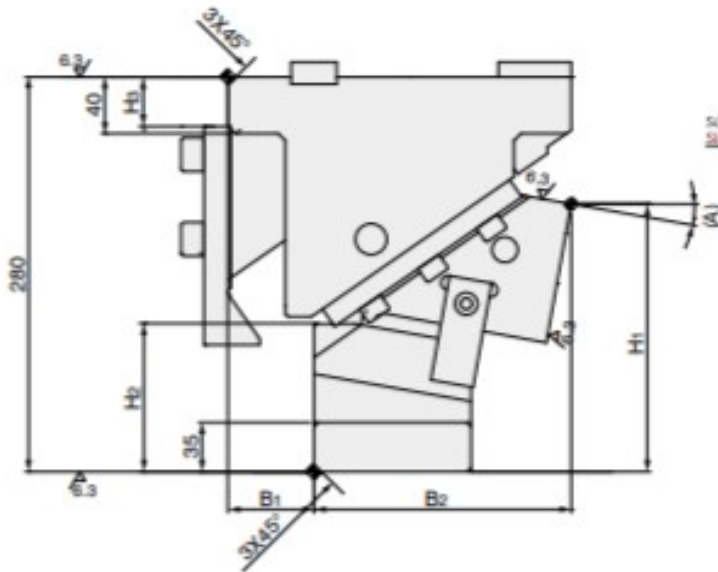
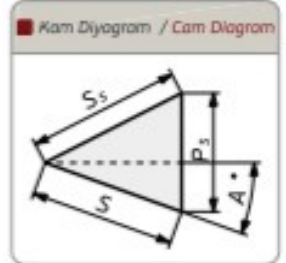
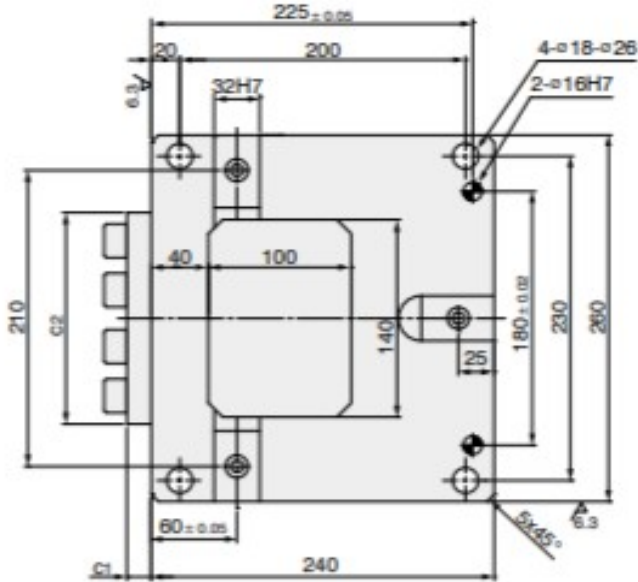


**Sipariş Örneği / Order Example**


| Kam Kodu<br>Cam Code | Sürücü Genişliği<br>Slider Width<br>(mm) | Çalışma Açısı<br>Work Angle<br>(°) | Opsiyon Kodu / Option Code |     |     |     |
|----------------------|--|------------------------------------|----------------------------|-----|-----|-----|
|                      |  |                                    | Gazlı Yay<br>Gas Spring    | --- | --- | --- |
| AKBK - 200 - 00      |  |                                    |                            |     |     |     |
| AKBK - 200 - 50 - GY |  |                                    |                            |     |     |     |

**AKBK-200 Teknik Bilgiler / Technical Informations**

| Çalışma Yüzeyi/Mounting Surface |      | Çalışma Açısı<br>Work Angle (°) | Kam Kuruşu/Cam Travel<br>Stroke (mm) | Çalışma Kuvveti<br>Working Force                   | Yay Kuvveti<br>Spring Force | Gazlı Yay Kuvveti<br>Gas Spring Force<br>(Opsiyon/Option) |
|---------------------------------|------|---------------------------------|--------------------------------------|--|-----------------------------|---|
| (G)                             | (Gh) |                                 |                                      |  |                             |   |
| 200                             | 100  | 00                              | 28,3                                 |  | 5634 N (575 kgf)            | 11074 N (1130 kgf)  |
| 200                             | 120  | 05                              | 28,3                                 |  | 5634 N (575 kgf)            | 11074 N (1130 kgf)  |
| 200                             | 100  | 10                              | 33,3                                 |  | 5634 N (575 kgf)            | 11074 N (1130 kgf)  |
| 200                             | 120  | 15                              | 33,9                                 |  | 5634 N (575 kgf)            | 11074 N (1130 kgf)  |
| 200                             | 100  | 20                              | 30,9                                 | 300.000<br>Baskı/Stroke<br>186,2 kN<br>(19,0 tonf) | 5124 N (523 kgf)            | 11074 N (1130 kgf)  |
| 200                             | 120  | 25                              | 32,0                                 |  | 5124 N (523 kgf)            | 11074 N (1130 kgf)  |
| 200                             | 120  | 30                              | 33,5                                 |  | 5619 N (573 kgf)            | 11074 N (1130 kgf)  |
| 200                             | 120  | 35                              | 35,3                                 |  | 5619 N (573 kgf)            | 11074 N (1130 kgf)  |
| 200                             | 120  | 40                              | 39,0                                 |  | 5619 N (573 kgf)            | 11074 N (1130 kgf)  |
| 200                             | 140  | 45                              | 42,2                                 | 1.000.000<br>Baskı/Stroke<br>93,1 kN<br>(9,5 tonf) | 5619 N (573 kgf)            | 11074 N (1130 kgf)  |
| 200                             | 140  | 50                              | 46,7                                 |  | 5619 N (573 kgf)            | 11074 N (1130 kgf)  |
| 200                             | 140  | 55                              | 52,3                                 |  | 5619 N (573 kgf)            | 11074 N (1130 kgf)  |
| 200                             | 140  | 60                              | 60,0                                 |  | 5619 N (573 kgf)            | 11074 N (1130 kgf)  |
| 200                             | 140  | 65                              | 70,9                                 |  | 5619 N (573 kgf)            | 11074 N (1130 kgf)  |
| 200                             | 140  | 70                              | 58,5                                 |  | 5480 N (559 kgf)            | 11074 N (1130 kgf)  |



| Kam Kodu<br>Cam Kode | Açı<br>Angle<br>(A) | Ölçüler / Dimensions (mm) |      |    |       |       |    |     |       |    |     |     |
|----------------------|---------------------|---------------------------|------|----|-------|-------|----|-----|-------|----|-----|-----|
|                      |                     | S                         | Ps   | Ss | H1    | H2    | H3 | B1  | B2    | c1 | c2  | Gh  |
| AKBK-200             | 00                  | 28,3                      | 28,3 | 40 | 195,0 | 90,0  | 55 | 80  | 160,0 | 17 | 190 | 100 |
| AKBK-200             | 05                  | 28,3                      | 30,9 | 40 | 200,0 | 91,6  | 55 | 60  | 168,7 | 17 | 190 | 120 |
| AKBK-200             | 10                  | 33,3                      | 28,7 | 40 | 190,0 | 113,8 | 35 | 60  | 180,0 | 17 | 150 | 100 |
| AKBK-200             | 15                  | 33,9                      | 31,7 | 40 | 190,0 | 108,6 | 35 | 50  | 194,1 | 17 | 150 | 120 |
| AKBK-200             | 20                  | 30,9                      | 24,1 | 32 | 170,0 | 118,2 | 15 | 50  | 190,0 | 18 | 150 | 100 |
| AKBK-200             | 25                  | 32,0                      | 27,0 | 32 | 170,0 | 113,4 | 15 | 40  | 201,4 | 18 | 150 | 120 |
| AKBK-200             | 30                  | 33,5                      | 24,5 | 30 | 170,0 | 125,4 | 10 | 30  | 210,0 | 17 | 150 | 120 |
| AKBK-200             | 35                  | 35,3                      | 28,0 | 30 | 180,0 | 130,5 | 10 | 30  | 219,8 | 17 | 150 | 120 |
| AKBK-200             | 40                  | 39,0                      | 27,7 | 30 | 165,0 | 139,8 | 10 | 30  | 210,0 | 17 | 150 | 120 |
| AKBK-200             | 45                  | 42,2                      | 32,5 | 30 | 165,0 | 143,0 | 10 | 15  | 232,1 | 17 | 150 | 140 |
| AKBK-200             | 50                  | 46,7                      | 35,8 | 30 | 160,0 | 149,7 | 0  | 10  | 230,0 | 16 | 150 | 140 |
| AKBK-200             | 55                  | 52,3                      | 42,8 | 30 | 140,0 | 147,1 | 0  | 0   | 234,7 | 16 | 150 | 140 |
| AKBK-200             | 60                  | 60,0                      | 52,0 | 30 | 135,0 | 155,1 | 0  | 0   | 240,0 | 16 | 150 | 140 |
| AKBK-200             | 65                  | 70,9                      | 64,3 | 30 | 115,0 | 152,0 | 0  | -30 | 246,0 | 16 | 150 | 140 |
| AKBK-200             | 70                  | 58,5                      | 54,9 | 20 | 135,0 | 179,3 | 0  | 0   | 240,0 | 16 | 150 | 140 |

|  <b>ORDER</b> | <b>Kod / Code</b> | <b>(G)</b> | <b>(A)</b> | <b>Opsiyon / Option</b> |
|--|-------------------|------------|------------|-------------------------|
|  | AKBK              | 200        | 35         | GY                      |